



Savaria® Side Entry Van Conversion

FULL FLOOR COMMERCIAL MODEL



The Savaria side entry commercial use van conversion is designed to withstand the rigorous demands of taxi use. Built for the Dodge Grand Caravan, this lowered full floor conversion offers safe side entry access with excellent durability.

The vehicle features a stainless steel floor and door extensions, with durable composite skirts and running boards. New SavariaFlex floor is easy to clean and provides a durable finish while the new swivel-in ramp offers full and open access

for easier passenger loading. An optional removable seat behind the driver allows optimal seating flexibility.

With each conversion, Savaria retains the original integrity of all major components, including the suspension, brakes and original gas tank. Successfully crash-tested and D-409 certified, the Savaria side entry van is a popular choice for accessible commercial transportation.

Savaria® Side Entry Van Conversion

CONVERSION FOR DODGE GRAND CARAVAN 24G*

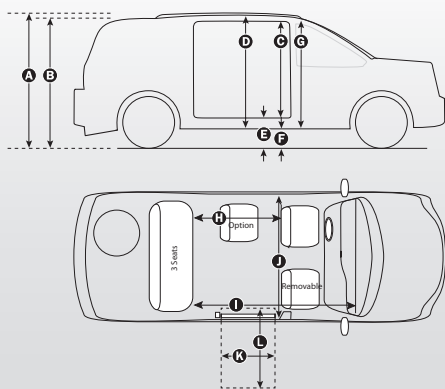


SavariaFlex floor offers a protective, low maintenance coating to withstand heavy commercial usage.

The Savaria side entry van features a stainless steel lowered floor for maximum durability and corrosion resistance.

- Ramp/floor of 64" in length giving an ± 9 degree slope
- Rear folding seat (no foot-rest required) adjustable/tilting
- Swivel-in ramp design (gives full access to the doorway)
- Stainless steel fuel line
- Optional 6 passenger capacity
- Can accommodate 2 wheelchairs and 3 passengers
- Spare tire lies flat in the trunk
- D-409-02 (back-up alarm, onboard lighting, extinguisher, first aid kit, road flares)
- Hoist friendly
- Crash-tested and meets Transport Canada requirements (CMVSS)

SPECIFICATIONS



A	Overall height of van with luggage rack	75"/1905 mm
B	Overall height of van	72"/1828 mm
C	Standard door opening height on ramp side (usable)	56"/1422 mm
D	Interior height at center of van	59"/1499 mm
E	Height at floor	11"/279 mm
F	Ground clearance	5.5"/140 mm
G	Interior height at passenger position	57"/1448 mm
H	Interior floor length from back seat to behind driver's seat	56.75"/1442 mm
I	Interior floor length passenger side	86.75"/2204 mm
J	Overall interior floor width behind front seats	61"/1549 mm
K	Side ramp width (usable)	30"/762 mm
L	Side ramp length (usable)	51.25"/1302 mm
M	Access ramp angle	$\pm 9^\circ$

Note: specifications are subject to change without notice

*other option packages should be discussed with Savaria

Flexible seating configurations include a removable behind-driver seat.



Groupe Véhicule Savaria
4350 Highway 13 Laval QC H7R 6E9
tel 800.668.8705 fax 800.361.1725

Savaria Vehicle Group
14 Goodmark Place Toronto ON M9W 6R1
tel 800.561.9600 fax 905.799.5548

www.savaria.com

Savaria makes every effort to publish accurate information. Specifications and options are subject to change without notice. ©2019 Savaria Corporation