

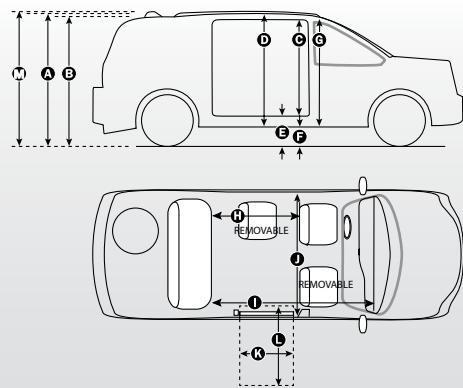
# New! Savaria® Side Entry for Chrysler Pacifica

- **New!** Trunk-sized removable caregiver seat
- **New!** Foot-operated bases on all removable seats
- Flip-forward third row bench with footrest
- Stainless steel floor for extended life
- Durable, easy-clean SavariaFlex flooring
- 29.5" power ramp
- Deep footstep on running boards for stable entry and exit
- Lowered floor sloped from front firewall gives extra foot space to drivers in wheelchairs
- Raised floor panel on front passenger seat
- Handy LED lighting for visibility
- OEM spare tire availability (if equipped)
- Optional kneeling system



**Flexibility,  
Convenience  
and Durability**

## SPECIFICATIONS



Flexible seating configurations include a removable behind-driver seat.

<b>A</b> Overall height of van with luggage rack	74.5"/1890 mm
<b>B</b> Overall height of van	73"/1850 mm
<b>C</b> Standard door opening height on ramp side (usable)	56"/1420 mm
<b>D</b> Interior height at center of van	60"/1520 mm
<b>E</b> Height at floor	10.5"/270 mm
<b>F</b> Ground clearance	5.5"/140 mm
<b>G</b> Interior height at passenger position	60"/1520 mm
<b>H</b> Interior floor length from back seat to behind driver's seat	56"/1420 mm
<b>I</b> Interior floor length passenger side	89"/2250 mm
<b>J</b> Overall interior floor width behind front seats	60"/1520 mm
<b>K</b> Side ramp width (usable)	29.5"/750 mm
<b>L</b> Side ramp length (usable)	54"/1370 mm
<b>M</b> Overall height of van with antenna	78"/1981 mm

*Note: specifications are subject to OEM and other types of variations and may change without notice. Other option packages should be discussed with Savaria*

 **savaria**<sup>®</sup>  
[www.savaria.com](http://www.savaria.com)  
[www.wheelchairvans.ca](http://www.wheelchairvans.ca)

**Savaria Vehicle Group**  
 14 Goodmark Pl. Toronto ON M9W 6R1  
 t 800.561.9600 f 905.799.5548

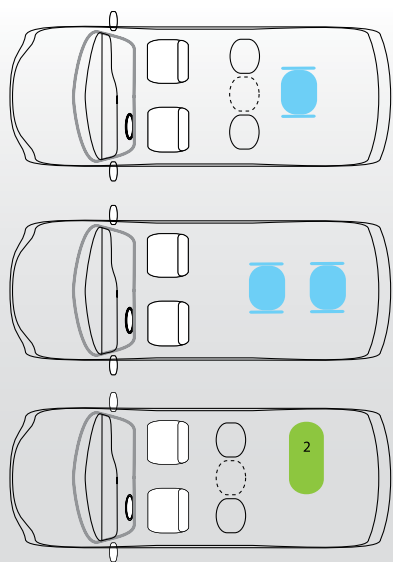
**Groupe Véhicule Savaria**  
 4350 Highway 13 Laval QC H7R 6E9  
 t 800.668.8705 f 800.361.1725

# New! Savaria® Rear Entry for Chrysler Pacifica

- Upgraded interior befitting the Pacifica experience
- Handy storage bins on both sides and under footplate
- **New!** Durable stainless steel floor panel for extended life
- Improved ramp design for airtight seal
- Spring-assisted 33" ramp has high sides, gentle slope and 1,000 lb capacity
- Choose from second row flip seats or three-person flip bench
- Optional third row bench seat flips sideways for maximized space
- Accommodates 2 wheelchair positions
- LED lighting for better visibility inside and on ramp
- Independent rear suspension and reinforced frame for a smooth ride
- OEM spare tire availability (if equipped)



**Superior Fit  
and Finish with  
Innovative Features**



## SPECIFICATIONS

Entrance height	56"/1420 mm
Floor width	34"/860 mm
Floor length	96"/2440 mm
Ramp length	61"/1550 mm
Ramp width	33"/840 mm
Ramp ratio	1:6
Lowest ground clearance	6"/150 mm
Rear ground clearance	8"/200 mm
Vehicle height	73"/1850 mm

*Note: specifications are subject to change without notice  
Other option packages should be discussed with Savaria*

 **savaria**®  
www.savaria.com  
www.wheelchairvans.ca

**Savaria Vehicle Group**  
14 Goodmark Place Toronto ON M9W 6R1  
t 800.561.9600 f 905.799.5548

**Groupe Véhicule Savaria**  
4350 Highway 13 Laval QC H7R 6E9  
t 800.668.8705 f 800.361.1725